

4

3

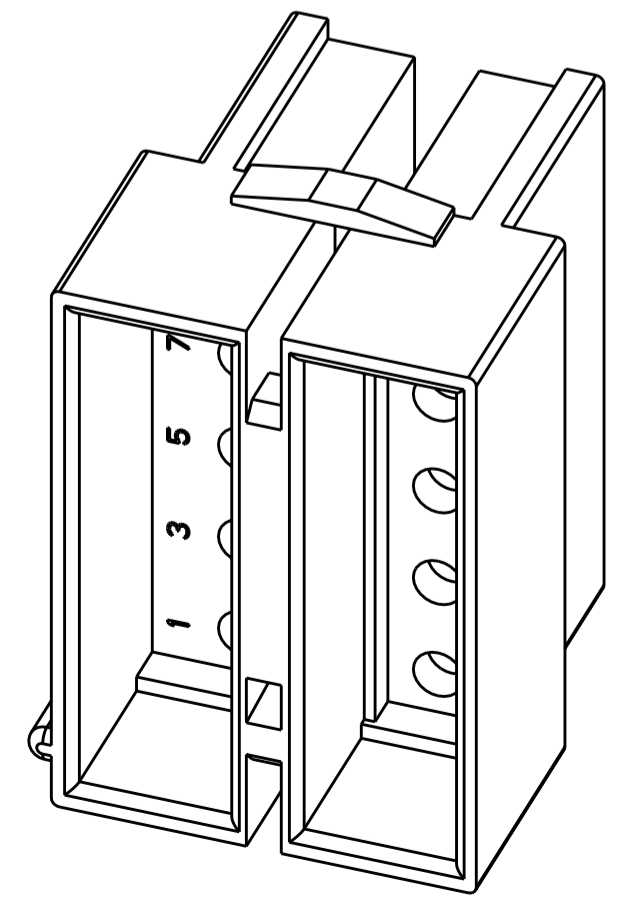
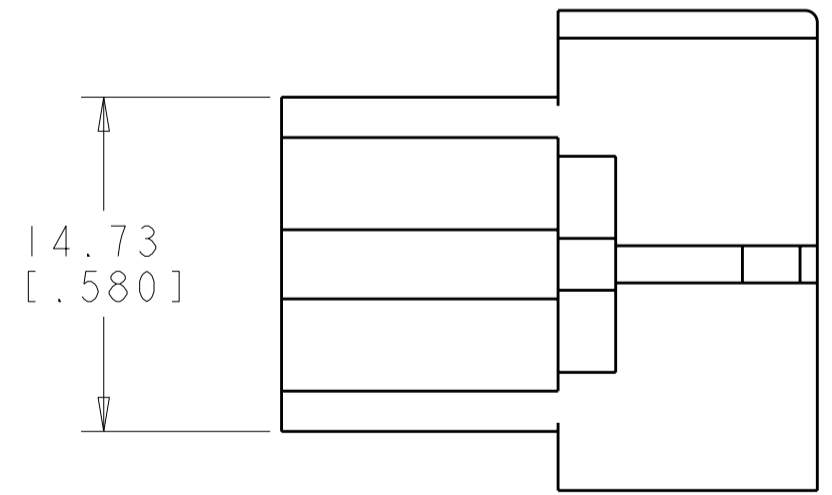
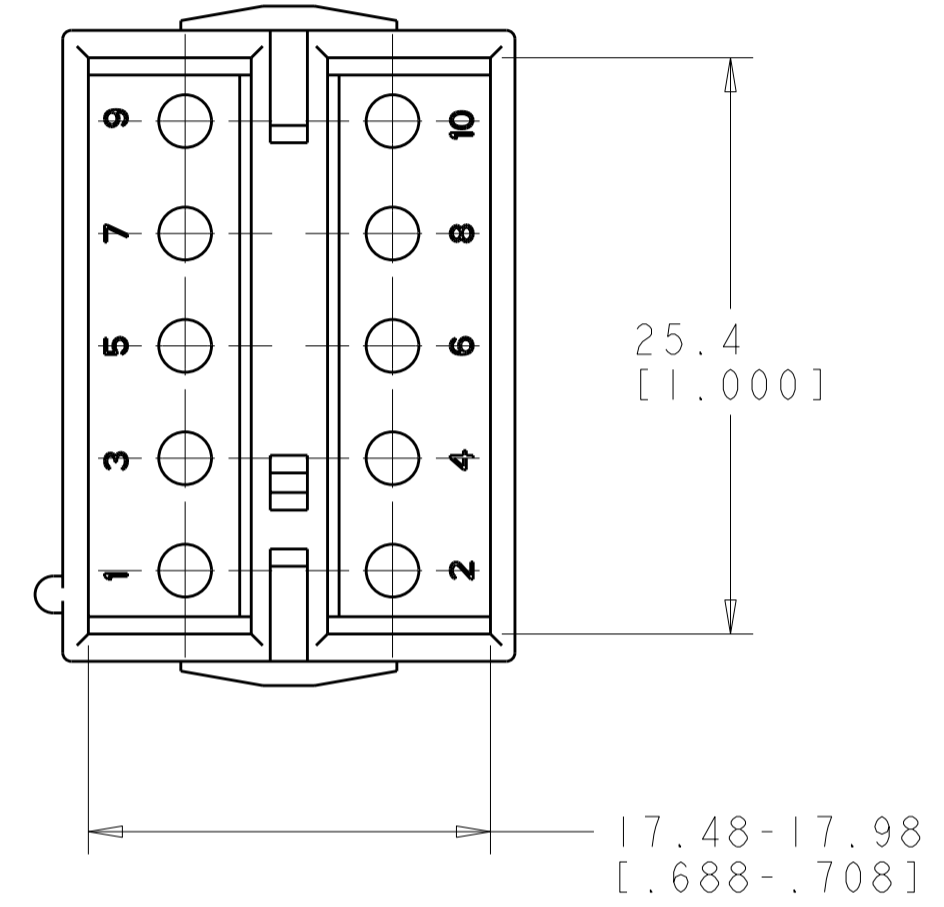
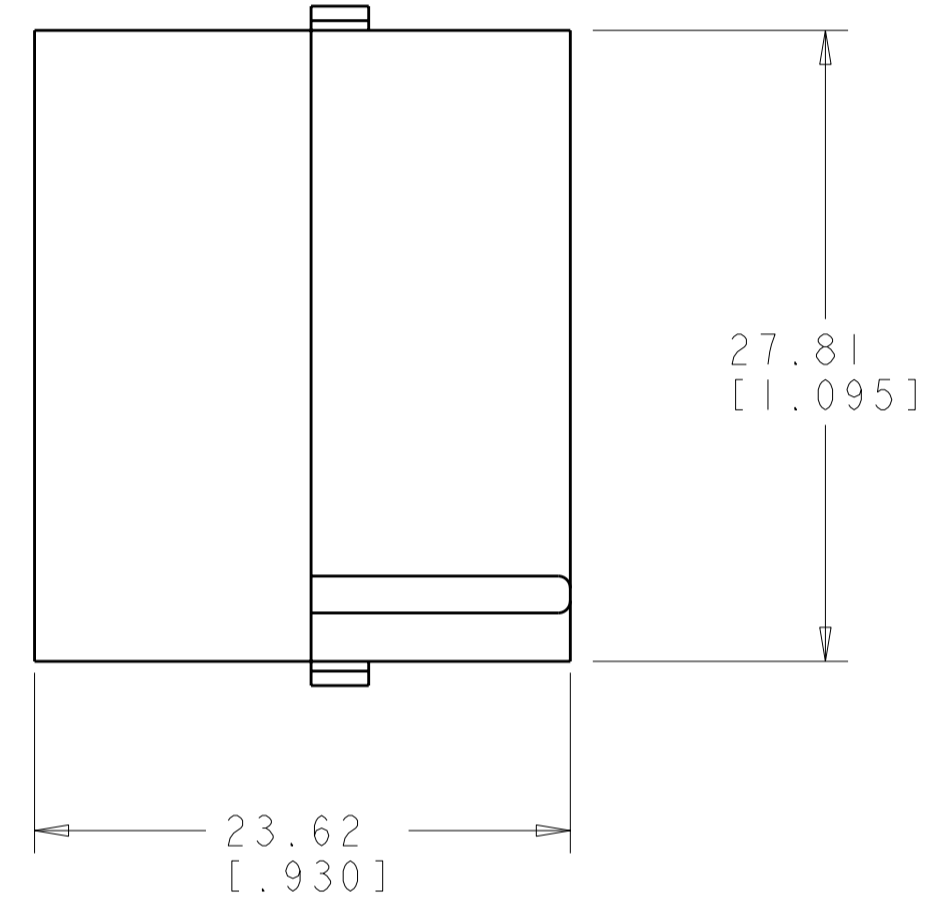
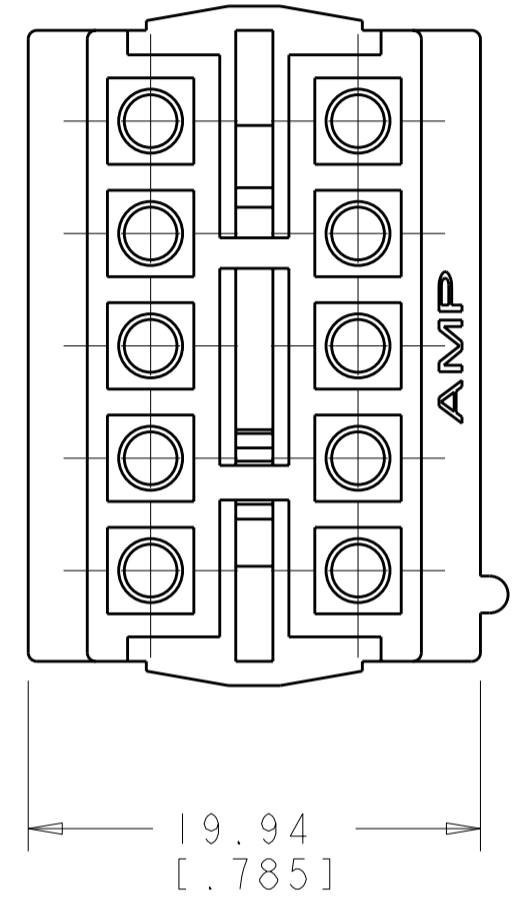
2

1

THIS DRAWING IS UNPUBLISHED. RELEASED FOR PUBLICATION 20  
 © COPYRIGHT 20 BY TYCO ELECTRONICS CORPORATION. ALL RIGHTS RESERVED.

LOC	DIST	REVISIONS			
P	LTR	DESCRIPTION	DATE	DWN	APVD
CM	00	H	ECO-08-007175	20MAR2008	KW CC

1. PART MATES WITH PLUG NO. 480285.
2. TO BE USED WITH APPROPRIATE COMMERCIAL MATE-N-LOK™ PINS.
3. MATERIAL: NYLON UL94V-2, NATURAL.



0.297 IN <sup>3</sup>	1-480339-0
VOLUME	PART NUMBER

**METRIC**

THIS DRAWING IS A CONTROLLED DOCUMENT FOR TYCO ELECTRONICS CORPORATION. IT IS SUBJECT TO CHANGE AND THE CONTROLLING ENGINEERING ORGANIZATION SHOULD BE CONTACTED FOR THE LATEST REVISION.		DWN K. WHITAKER 07MAR2008	Tyco Electronics Harrisburg, PA 17105-3608	
DIMENSIONS: mm [ INCHES ]		CHK C. CASH 07MAR2008	NAME CAP, 10 CIRCUIT, COMMERCIAL MATE-N-LOK(TM)	
TOLERANCES UNLESS OTHERWISE SPECIFIED: 0 PLC ± 1 PLC ± 2 PLC ±0.13 [.005] 3 PLC ± 4 PLC ± ANGLES ±0°30' FINISH		APVD C. CASH 07MAR2008	SIZE A200779	
MATERIAL 3		PRODUCT SPEC -	DRAWING NO C-480339	
		APPLICATION SPEC -	RESTRICTED TO -	
		WEIGHT -	SCALE 3:1	
		CUSTOMER DRAWING	SHEET 1 OF 1 REV H	